

Natural Gas & Propane Immersible Thermal Gas Mass Flow Meter

Features

- Fast response flow meter optimized for natural gas or propane measurement applications
- 200 millisecond response to changes in flow rate
- Programmable pulse output for remote totalization
- Optional Modbus communication
- Smart electronics permit field adjustment of critical flow meter settings
- Field validation of flow meter calibration
- Outstanding rangeability
- 2 x 12 backlit LCD display totalizer values along with instantaneous flow display
- Minimal flow blockage and low pressure drop
- CE approved



www.sierrainstruments.com



BoilerTrak 620S-BT



Description

Sierra Instruments' BoilerTrak™ Immersible Thermal Mass Flow Meter provides an optimized solution for natural gas or propane flow measurement applications. BoilerTrak is designed to provide an economical solution to new regulations for the burning of natural gas or propane in heaters and boilers. The meter's sensor offers long-term reliability and a 200 millisecond response to changes in flow rate.

The versatile microprocessor-based transmitter integrates the functions of flow-range adjustment, meter validation and diagnostics in a probe-mounted NEMA 4X (IP65) housing. Mass flow rate and totalized flow, as well as other configuration variables, are displayed on the meter's 2 x 12 backlit LCD panel.

The meter also provides an optical/galvanic isolated 4-20 mA output and two alarm outputs along with a programmable pulse output for remote totalization. An optional Modbus Communications package is also available. The programmable transmitter is easily configured via RS-232 and Sierra's Smart Interface™ Windows™ based software (supplied with the meter) or three push buttons in the device. Optimized natural and propane measurement for 1, 2, 3, 4 inch sch. 40 pipe sizes.

Windows is a registered trademarks of Microsoft.

Performance Specifications

Accuracy of Point Velocity

+/- 1% of full scale (actual gas calibration)
 +/- 1% of full scale +/- 3% of reading (correlation)

Repeatability

+/- 0.2% of full scale

Temperature Coefficient

+/- 0.02% of reading per °F within +/- 50°F of customer specified conditions
 +/- 0.03% of reading per °F within +/- 50°F to 100°F of customer specified conditions
 +/- 0.04% of reading per °C within +/- 25°C of customer specified conditions
 +/- 0.06% of reading per °C within +/- 25°C to 50°C of customer specified conditions

Pressure Coefficient

0.02% of full scale per psi for natural gas / Methane / Propane

Response Time

200 milliseconds to 63% of final velocity value

Operating Specifications

Gases

Natural gas, Propane, Methane

Gas Pressure

0 psig to 120 psig (0 to 8 barg) Note: actual gas calibration limited to 30 psig (2 barg)

Pressure Drop

Negligible

Gas & Ambient Temperature

Gas . . . -40°F to 176°F (-40°C to 80°C)

Note: actual gas calibration limited to 50°F to 100°F (10°C to 38°C)

Ambient . . . -40°F to 120°F (-40°C to 50°C)

Power Requirements

15 to 18 VDC (regulated), 625 mA draw maximum

Note: BoilerTrak is not available in other power configurations due to safety concerns

Standard Calibrated Flow Rates

In various sizes of schedule 40 piping - STP = 70°F, 1atm (21°C, 101.3 kpa)

| | |
|-------|---------------------------------------|
| 1.25" | 80 SCFM (2.1 NM ³ /min) |
| 1.5" | 110 SCFM (2.9 NM ³ /min) |
| 2" | 185 SCFM (4.9 NM ³ /min) |
| 2.5" | 265 SCFM (7.0 NM ³ /min) |
| 3" | 410 SCFM (10.8 NM ³ /min) |
| 4" | 705 SCFM (18.5 NM ³ /min) |
| 6" | 1600 SCFM (42.1 NM ³ /min) |

(L) DIMENSIONS

| Code | L |
|------|--------------|
| L04 | 4.0 (101.6) |
| L06 | 6.0 (152.4) |
| L09 | 9.0 (228.6) |
| L13 | 13.0 (330.2) |

Operating Specifications (cont.)

Output Signal

Linear 0–5 VDC and 4-20 mA proportional to mass flow rate.
 Modbus RTU Digital Communication

Alarms

Hard contact user-adjustable high and low
 Dead band adjustable with Smart Interface™ software
 Relay ratings Maximum 42 VAC or 42 VDC, 140 mA

Displays

Alphanumeric 2 x 12 digit backlit LCD
 Adjustable variables via on-board switches (password protected)
 or with Smart Interface™ software
 Adjustable variables Full scale (50 to 100 %)
 Time Response (1 to 7 seconds)
 Correction factor setting (0.5 to 5)
 Zero and span

Totalizer

Eight digits (9,999,999) in engineering units
 Resettable by software or on-board switches

Software

Smart Interface™ Windows™-based software
 Minimum 8 MB of RAM, preferred 16 MB of RAM
 RS-232 communication
 Additional features Alarm dead band adjustment
 Low flow cut-off adjustment
 Linearization adjustment
 Save / Load configurations
 Flow meter validation

Physical Specifications

Wetted Material

Probe 316SS
 Sensor. 304SS, glass coating epoxy

Enclosure

NEMA 4X (IP65) powder-coated cast aluminum

Electrical Connections

One 1/2-inch female NPT

Mounting

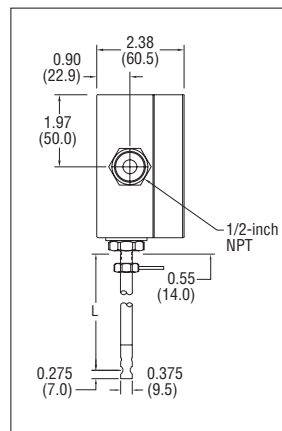
3/8-inch tube compression fitting with 1/2-inch male NPT

Certifications

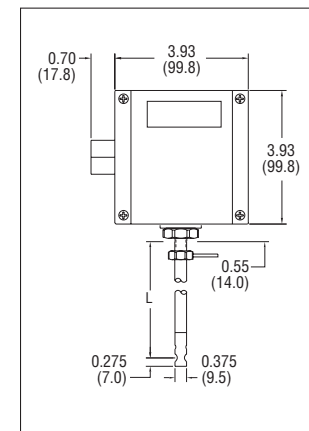
CE approved

Dimensional Specifications

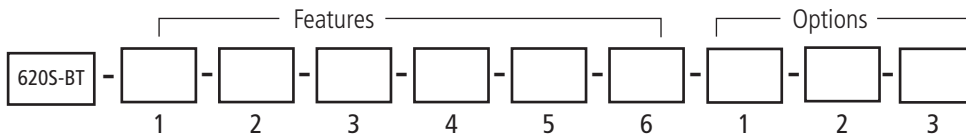
NEMA 4X—Side View (EN2)



NEMA 4X—Front View (EN2)



ORDERING INFORMATION



Instructions: To order a 620S-BT please fill in each number block by selecting the codes from the corresponding features below and following pages.

| Parent Number | |
|----------------|---|
| 620S-BT | BoilerTrak™ Insertion Mass Flow Meter optimized for natural gas and propane. 15-18 VDC input power with a 3/8-inch in diameter probe. Includes "Smart Electronics" with PC configuration software, calibrated temperatures up to 100F and pressures up to 30 psig (2.1 barg) real gas calibration and 120 psig (8.3 barg) correlation. 200 msec response. CE approved. 4-20 mA and 0-5 VDC linear output. |

NOTE: ALL slpm flow ranges also available in nlpm. * Flow bodies are sized for nitrogen flow rates. Other gases must be converted to equivalent nitrogen flow. Use K-factor and size accordingly.

| Feature 1: Probe Length | |
|-------------------------|--|
| L04 | 3.7-inches (9.5 cm) |
| L06 | 6-inch (15 cm) |
| L09 | 9-inch (23 cm) |
| L13 | 13-inch (33 cm) |
| L() | Special Length - Specify length in parentheses. Maximum 24-inch (61 cm). Minimum 3.7-inches (9.5 cm) |

Note: For Digital communication options, see Option 2.

| Feature 3: Electronics Enclosure | |
|----------------------------------|---|
| EN2 | NEMA 4X (IP65) Enclosure. Mounted directly on probe. |
| EN4() | Remote NEMA 4X (IP65) Enclosure with Junction Box Mounted up to 200 feet (61m) away from the probe with junction box mounted on probe. Includes remote electronics enclosure mounting bracket and 1/2-inch Female NPT connection. |

| Feature 5: Display | |
|--------------------|---|
| NR | No readout |
| DD | Digital display. 2 x 12 digit, backlit, LCD display indicates flow rate and totalized mass in engineering units. Simplifies configuration settings and provides system status information |
| DD-NRT | Totalizer cannot be reset in the field. |

| Option 1: Digital Communications | |
|----------------------------------|-----------------------------------|
| PULSE | Totalizer pulse output (1 Hz max) |
| MB | Modbus communications protocol |

| Option 2: Certificates | |
|------------------------|--|
| MC | Material certificates--US Mill certs on all wetted parts |
| CC | Certificate of conformance |
| NACE | NACE certificate for sour gas |
| LT | Leak test certificate |
| PT | Pressure test certificate |

| Feature 2: Mounting Accessories | |
|---------------------------------|---|
| M0 | None. Customer to supply own mounting hardware |
| M1 | Compression fitting for 3/8-inch probe feed through by x 1/2-inch Male NPT |
| M1-M2() | Compression fitting for 3/8-inch probe feed through by x 1/2-inch Male NPT including Weldolet. 1/2-inch Female NPT. Welds to pipe Specify pipe O.D. in parentheses |
| M3 | Flat Duct Bracket. 3/8-inch tube compression fitting. |
| M4() | Curved duct Bracket with 3/8-inch tube compression fitting. Specify duct O.D. in parentheses. |
| M6 | Conex (Viton® compression fitting) packing gland can be used with customer supplied ball valve for live insertion or removal up to product maximum pressures. Compression fitting for 3/8-inch probe feed through by x 1/2-inch Male NPT. |

| Feature 4: Output | |
|-------------------|------------------|
| V1 | 0-5 VDC, linear |
| V3 | 0-10 VDC, linear |
| V4 | 4-20 mA, linear |

| Feature 6: Gas | |
|----------------|--|
| 8 | Methane (natural gas) calibration (1.0% full scale) |
| 9 | Methane (natural gas) correlation (3.0% reading plus 1% full scale) |
| 12 | Propane calibration (1.0% full scale) |
| 13 | Propane correlation (3.0% reading plus 1.0% full scale) |
| 99 | Other--consult factory |

Note: Full scale calibrations available to 12,000 sfp

| Option 3: Power Supplies | |
|--------------------------|--|
| 900-T1 | Power Supply, 15 VDC (for BoilerTrak only) |



Procon Instrument Technology
1/119 Delta Street Geebung QLD 4034
PO Box 663 Virginia BC QLD 4014
07 3823 1922
sales@proconit.com.au
www.proconit.com.au
ABN: 26 010 529 423