

# Bourdon Tube Pressure Gauge

## Oxygen Duty

Model 950GP

An impressive technical specification and wide range of standard features make the PREMIUM the obvious choice for a wide range of process and engineering applications.

Embodying an all 316 Stainless Steel case and bezel construction, the 950GP incorporates a solid baffle wall and blow out back for operator protection and standard features such as IP67 environmental protection, not normally available on comparative units.

The 950GP is specifically manufactured for use on OXYGEN and as such is cleaned for Oxygen service with no oil or grease contamination. A restrictor in the inlet is a standard feature.



### Size

100 mm (4") & 150mm (6")

### Mounting

Direct, Surface and Flush

### Case & Bezel

Rugged one-piece full Safety Pattern case to S3 standard with a solid baffle partition wall and full blow out back manufactured in 1.6mm thick, 316L stainless steel.

### Scale Ranges

0 to 600 mbar to 0 to 1400 bar Pressure  
Equivalent units of pressure / vacuum available  
Single and dual scales are available

### Pressure Element

Monel

### Overload

Units withstands overload pressure up to 130% of FSD  
Overload & vacuum stops are fitted on the movement  
Option: Mechanical overload clamps fitted internally to enable units to withstand up to 3x the max scale reading

### Pressure Connection in 316 Stainless Steel

1/4", 3/8", 1/2" BSP  
1/2" NPT  
Other connections available

### Accuracy Class

CL:1 1.0% of FSD as defined in EN837-1  
Option: 0.5% of FSD as defined in EN837-1

### Temperature

Operating: -20 to +90 °C  
Storage: -40 up to +100 °C  
Options: for lower or higher operating temperatures

### Temperature Effect

Variation in indication caused by temperature shall not exceed  $\pm 0.04 \times (t_2 - t_1)\%$  of the span where:  
t1 is the reference ambient temperature in degrees Celsius  
t2 is the ambient temperature in degrees Celsius

### Duty

Cleaned for use on Oxygen, with restrictor in inlet.

### Dial

White Anodised Aluminium marked in black finish  
Marked "Oxygen" and "Use no Oil" in red triangle  
Single or dual scale

### Pointer

Aluminium coloured black  
Options: Micrometer adjustable pointer

### Movement

Stainless Steel Construction  
Option : Viscous Damped movement to overcome the effects of minor pressure pulsations

### Window

3mm Laminated Safety Glass (Standard)  
Option: Acrylic Plastic Window

### Environmental Rating

IP68 as defined in EN 60 529

### Traceability

All instruments are individually calibrated and have an unique Serial Number printed on the dial. A Certificate of conformity traceable to National Standards is supplied free of charge.

### Certification Available

BS EN 10204 3.1B Material Certification  
Point by point Certificate

### Safety

All units are manufactured to comply with EN 837-1 and other regulatory standards including P.E.D.

### Installation Instructions

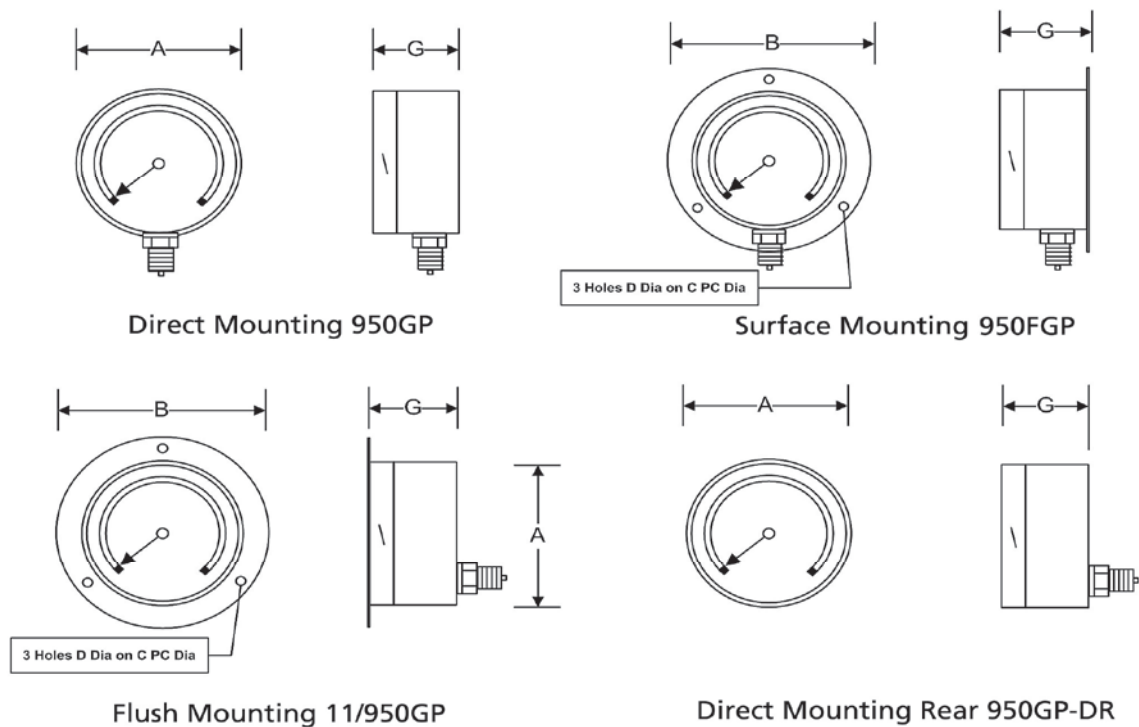
Refer to EN 837-2



Authorised Australian distributor for



## Dimensions



Model No	A	B	C	D	G	Weight
100mm 950GP (Dry Case)	105mm	131mm	118mm	6mm	52mm	0.7kg
150mm 950GP (Dry Case)	162mm	183mm	168mm	6mm	53mm	1.34kg

## Options

Case : DMC (Dough Moulded Compound)  
 Mounting : Flush mounting clamp fixing available  
 Element : 316L Stainless Steel or Phosphor Bronze  
 Accuracy : 0.5% of FSD as defined in EN837-1  
 Window : Acrylic Plastic Window  
 Pointer : Micrometer adjustable Model 270  
 Dials : Special sectors, Logos etc.

## Accessories

For high temperature applications such as steam, see our range of syphons and adaptors. – See separate Datasheet.

We can supply Needle, Ball or 2 Valve manifolds for the Model 950GP refer to datasheet

The manifolds in addition to allowing the instrument to operate normally allows the following: -

- Checking of gauge zero at line pressure.
- Complete isolation of the instrument.
- De-pressurisation of the instrument or controlled purging.
- Damping of pressure pulsations and surges.
- Inline calibration, allows in situation calibration

Specifications and dimensions in this leaflet, are subject to change without prior notice.

Authorised Australian distributor for  
 **Budenberg**



**Procon Instrument Technology**  
 1 / 119 Delta Street Geebung QLD4034  
 07 3823 1922  
 sales@proconit.com.au www.proconit.com.au