

Small Dial Industrial Service Gauge

Model 15P

The model 15P is manufactured to meet the demand for small high quality gauges designed for applications using gases, water or any liquid that does not attack brass and bronze.

The one piece polycarbonate case with integral window forms a solid baffle in front of the Bourdon tube and incorporates a full diameter stainless steel blow-out back so that in the event of a tube failure through corrosion, explosion or gross over pressure any vapour or debris is vented from the back of the case.

This gauge is designed for direct mounting on to the process pipe work and comes with a grey inner sleeve to give a grey colour to the side of the case.

For oxygen applications these gauges must be manufactured to ensure they are entirely free from oil and grease.



Size

63 mm & 80mm Dial diameter

Mounting

Direct

Case & Bezel

One Piece Polycarbonate, Safety Pattern case

Scale Ranges

0 to 300 mBar, up to 0 to 400 Bar Pressure
Equivalent units of pressure / vacuum available
Single and dual scales are available

Pressure Element

Phosphor Bronze tube soldered to brass connection and end piece.
Stainless Steel above 40 Bar & below 1 Bar.

Pressure Connection

1/4" BSP as Standard
1/8" BSP & NPT are also available

Accuracy Class

CL:1 1.0% of FSD as defined in EN837-1

Temperature

Operating: -20 to +90 °C
Storage: -40 up to +100 °C
Options: for lower or higher operating temperatures

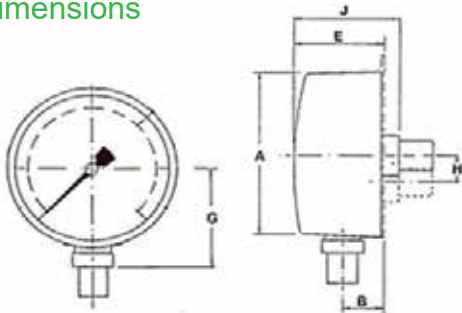
Temperature Effect

Variation in indication caused by temperature shall not exceed $\pm 0.04 \times (t_2 - t_1)\%$ of the span where: t_1 is the reference ambient temperature in degrees Celsius
 t_2 is the ambient temperature in degrees Celsius

Overload

115%

Dimensions



Dial

White Anodised Aluminium marked in black finish
Option: Dual scale, colour bands & sectors
Customisation with Company Name & Logo also available

Pointer

Stainless steel coloured black

Movement

Brass Construction Option: Viscous Damped movement to overcome the effects of minor pressure pulsations and vibrations

Window

One Piece Polycarbonate

Environmental Rating

IP54 as defined in EN 60 529

Traceability

All instruments are individually calibrated and have an unique Serial Number printed on the dial. A Certificate of Conformity Traceable to National Standards is Supplied Free of Charge

Certification available

BS EN 10204 3.1B Material Certification
Point by Point Test Certificate

Safety

All units are manufactured to comply with EN 837-1, S3 specification and other regulatory standards including PED.

Installation instruction

Refer to EN 837-2

Accessories

For high temperature applications such as steam, see our range of syphons and adaptors. – See separate Datasheet.
Brass shut off cocks

Options

Case: Customer Name or Logo
Mounting : See other Datasheets for various mountings
Threads: NPT available
Dials: Colour sectors

Model No	A	B	E	F	G	H	I	Weight
63mm Polycarbonate Case	63mm	14mm	36.5mm	110mm	44.5mm	13.5mm	45mm	0.2kg
80mm Polycarbonate Case	86mm	19mm	42mm	153mm	51.5mm	13.5mm	46mm	0.3kg

Authorised Australian distributor for



Procon Instrument Technology

1 / 119 Delta Street Geebung QLD4034

07 3823 1922

sales@proconit.com.au www.proconit.com.au

PIT_15P-Small-Dial-Pressure-Gauge_v1.0